

# Smart Tap Under Counter

Hot | Warm | Cold

## PC - 888

 [facebook.com/puricaresg](https://facebook.com/puricaresg)

 [@puricaresg](https://www.instagram.com/puricaresg)

 [twitter.com/puricaresg](https://twitter.com/puricaresg)

6742 1629 (Office)  
8383 5166 (Mobile)

10 Ang Mo Kio Street 65 #05-12  
Techpoint (Lobby B) Singapore 569059

# puricare



[sales@puricare.com.sg](mailto:sales@puricare.com.sg)  
[www.puricare.com.sg](http://www.puricare.com.sg)

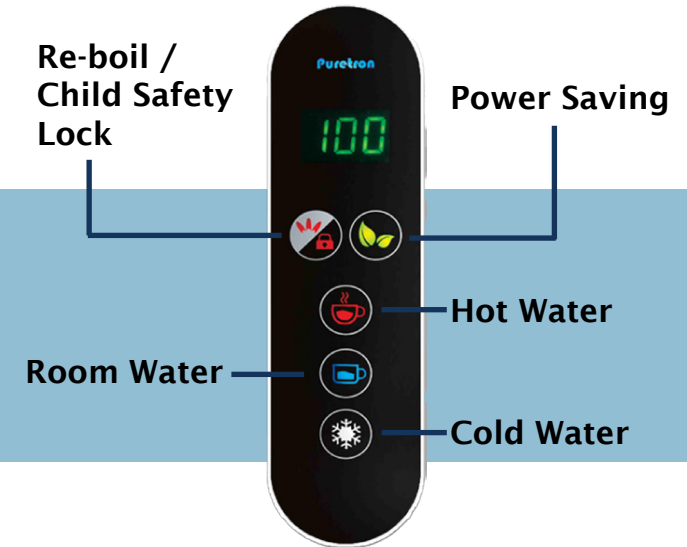
# LOOKING FOR A SMART WATER DISPENSER

## MODEL PC - 888

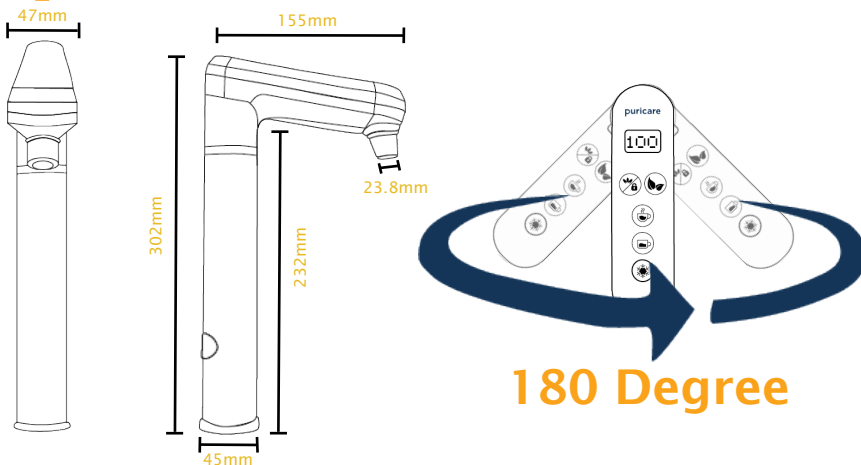
<b>Type</b>	Hot & Warm & Cold
<b>Voltage</b>	220Vac, 50-60Hz
<b>Hot Power Consumption</b>	750W - 1000W
<b>Cold Power Consumption</b>	210W
<b>Hot Tank</b>	35 Cups/hr
<b>Cold Tank</b>	30 Cups/hr
<b>Hot Water Capacity</b>	22L/hr
<b>Cold Water Capacity</b>	15L/hr
<b>Hot Water Temperature</b>	90°C - 100°C
<b>Cold Water Temperature</b>	6°C - 12°C



## Features



## Specifications



### Power Saving & Continuous Mode

Assists significantly to lowering your monthly power and water expenditures. With continuous water usage monitoring and preset directives for precise water disposal, you never waste water.



### Re-boil Function

The boiling mechanism for hot water is activated with just a push of a button.



### Hot Safety Switch

In order to reduce the possibility of mishaps involving scalding, hot safety switches instantly stop the flow of water.



### Sensor Touch Keypad

It is easier to operate and more dependable since it uses touch motion detection rather than moving parts.



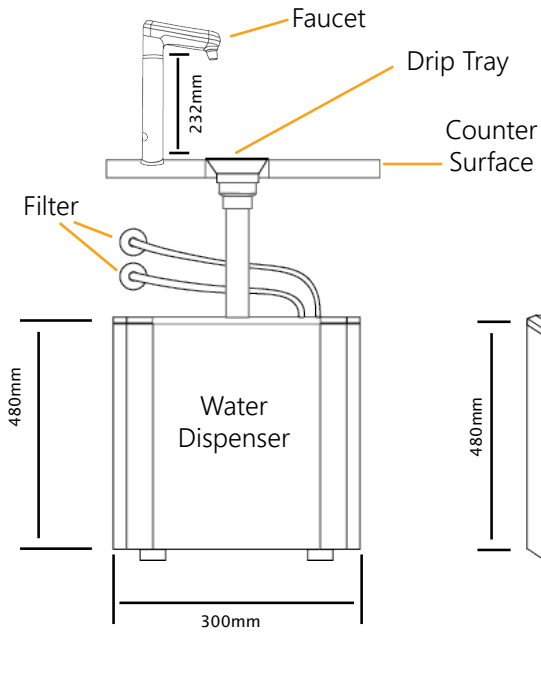
### Temperature Display

By accurately displaying the temperature, the user's life is made better and safer.

# Installation

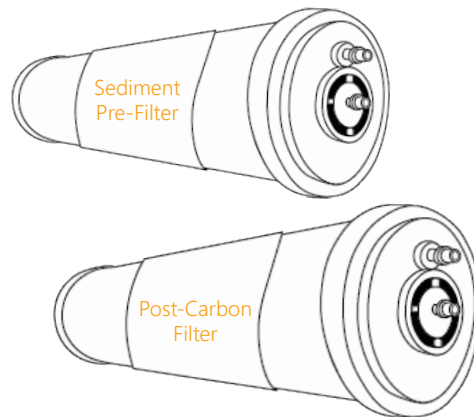


*Drip tray & faucet riser are made of 304 Grade stainless steel that are high quality and sturdy.*



## 3D View

## 3D View



## 4 Stages of Filtration

### 1. Sediment Pre-Filter

Removes all settings, microorganisms, oxidized substances and tiny pollutants as small as micron.

### 2. Pre-Carbon Filter

Uses activated charcoal water similar to natural water by absorbing or removing most chemical components formed during the processing of tap water.

### 3. Ultra-Filtration Membrane

Allows only clean water with mineral content to pass through after eliminating most other pollutants and impurities from the water.

### 4. Post-Carbon Filter

Removes unpleasant residual smell, restoring purified water taste that is suitable for consumption.