

puricare

TROSS TANKLESS COUNTER TOP

Hot | Room | Cold



10 Ang Mo Kio Street 65 #05-12 Techpoint (Lobby B) Singapore 569059

Office: 6742 1629 Whatsapp: 8383 5166

www.puricare.com.sg

sales@puricare.com.sg

 facebook.com/puricaresg

 instagram.com/puricaresg

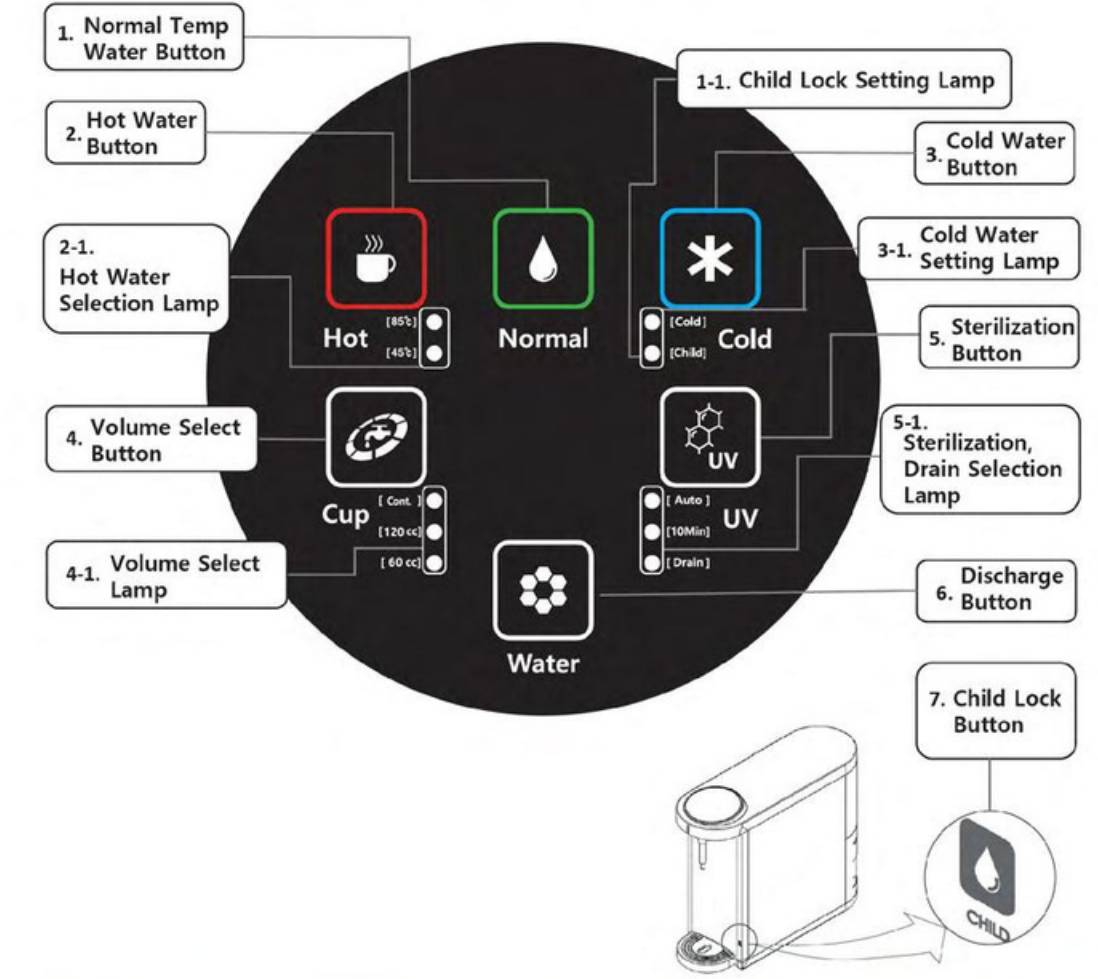
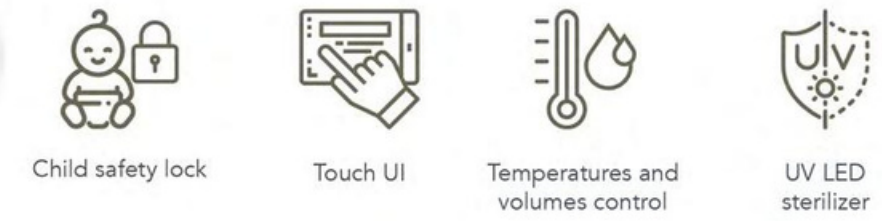
 twitter.com/puricaresg



Filtration System

Tross has an integrated multi-stage filtration system. The main filters are Complex filter (made of activated carbon and polypropylene), UF Membrane (made of polysulfone) and Post-block Carbon (made of activated carbon).

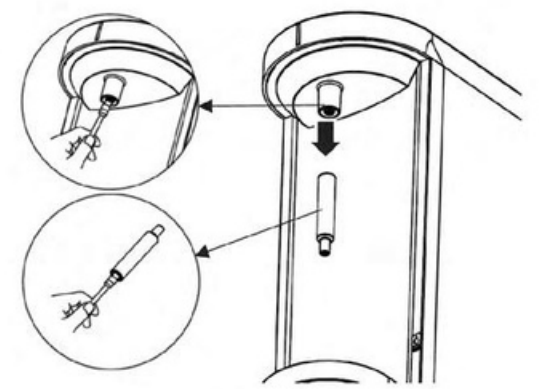
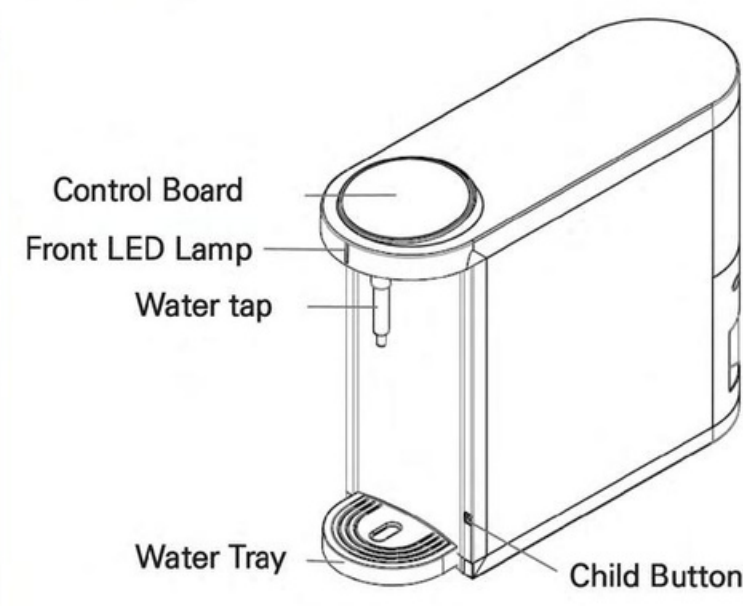
It also has a UV LED sterilizer to remove chlorine, bacteria, odours and inorganic impurities. This is to ensure clean and pure water that is safe to drink at all times.



FEATURES

SPECIFICATIONS

Dimension	W180 x D521 x H445mm
Weight	12.5kg
Temperatures	5°C, 30°C, 45°C, 85°C
Filtration System	Complex filter, UF Membrane, Post-block Carbon
Filtration Method	POU Water Purifier
Rated Power	220-240V, 50/60Hz
Power Consumption	Hot 2500W Cold 130W
Heating Type	Instant hot water module system
Cooling Type	Rapid cooling water system
Country of Origin	South Korea
Colours	White or Black



Tross is equipped with a removable nozzle that can extend the existing nozzle to allow for better water dispensing into smaller cups or shorter bottles.